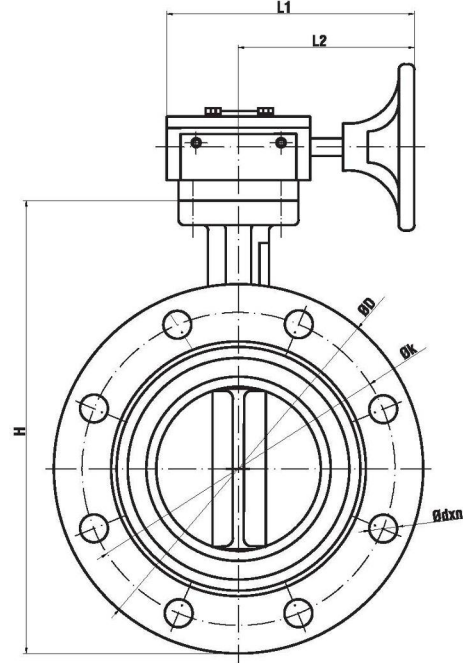




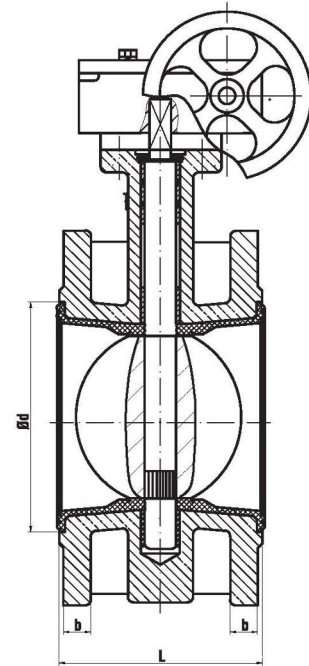
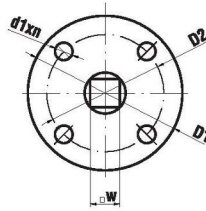
**SOYVALVE**

**Dünyanın Vanasını Üretiyoruz / We Produce The World's Valve**

## Çift Flanşlı Kelebek Vana / Double Flanged Butterfly Valve



| NO | PARÇA ADI    | PART NAME     | MATERIAL   |
|----|--------------|---------------|------------|
| 1  | GÖVDE        | BODY          | GGG40      |
| 2  | UZUN BURÇ    | LONG BUSHING  | PTFE       |
| 3  | MİL          | STEM          | AISI 416   |
| 4  | CONTA        | GASKET        | NBR        |
| 5  | KLAPE        | DISC          | ALU-BRONZE |
| 6  | KISA BURÇ    | SHORT BUSHING | PTFE       |
| 7  | O RING       | O RING        | NBR        |
| 8  | PUL          | WASHER        | GR.33      |
| 9  | SEGMAN       | CIRCLIP       | GR.33      |
| 10 | DİŞLİ KUTUSU | GEAR BOXES    | STEEL      |
| 11 | CİVATA       | BOLT          | STEEL      |



| DN  | ØD  | Øk  | H   | d   | L   | L1  | L2  | Ødxn  | D1  | D2  | W  | Ød1xn | Kg   |
|-----|-----|-----|-----|-----|-----|-----|-----|-------|-----|-----|----|-------|------|
| 50  | 165 | 125 | 203 | 99  | 111 | 208 | 155 | 18x4  | 90  | 70  | 11 | 10x4  | 11   |
| 65  | 185 | 145 | 223 | 118 | 115 | 208 | 155 | 18x4  | 90  | 70  | 11 | 10x4  | 13,5 |
| 80  | 200 | 160 | 245 | 132 | 117 | 208 | 155 | 18x8  | 90  | 70  | 11 | 10x4  | 14   |
| 100 | 220 | 180 | 269 | 156 | 130 | 208 | 155 | 18x8  | 90  | 70  | 11 | 10x4  | 17,5 |
| 125 | 250 | 210 | 295 | 184 | 143 | 208 | 155 | 18x8  | 90  | 70  | 14 | 10x4  | 22   |
| 150 | 285 | 240 | 333 | 211 | 143 | 208 | 155 | 23x8  | 90  | 70  | 14 | 10x4  | 25,5 |
| 200 | 340 | 295 | 375 | 266 | 155 | 313 | 237 | 23x12 | 125 | 102 | 17 | 12x4  | 39,5 |
| 250 | 405 | 355 | 433 | 319 | 168 | 313 | 237 | 26x12 | 125 | 102 | 22 | 12x4  | 52,5 |
| 300 | 460 | 410 | 503 | 370 | 182 | 307 | 225 | 26x12 | 125 | 102 | 22 | 12x4  | 67   |
| 350 | 520 | 470 | 589 | 429 | 194 | 307 | 225 | 26x16 | 125 | 102 | 22 | 12x4  | 91   |
| 400 | 580 | 525 | 640 | 480 | 221 | 358 | 254 | 30x16 | 175 | 140 | 27 | 18x4  | 141  |
| 450 | 640 | 585 | 720 | 530 | 227 | 358 | 254 | 30x20 | 175 | 140 | 27 | 18x4  | 182  |
| 500 | 715 | 650 | 785 | 582 | 234 | 358 | 254 | 33x20 | 175 | 140 | 36 | 18x4  | 200  |

### UYGULAMA ALANLARI / APPLICATIONS

SU, DENİZ SUYU, ATIK SU, HAVA, YAĞ, TOZ, GAZ, v.b  
WATER, SEA WATER, WASTE WATER, AIR, OIL, GAS, etc.  
BAĞLANTILAR / ENDS: DIN EN 1092 - 2  
ÇALIŞMA BASINCI / WORKING PRESSURE: PN16

### ÇALIŞMA SICAKLIĞI / WORKING TEMPERATURE

-12 +82°C